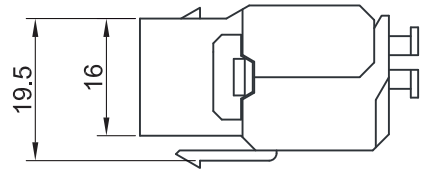
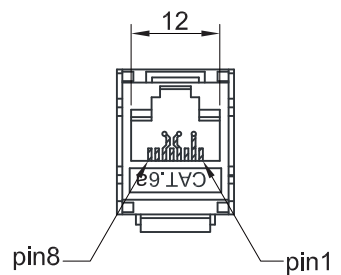
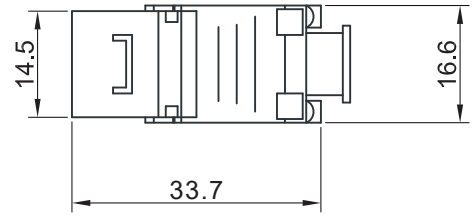
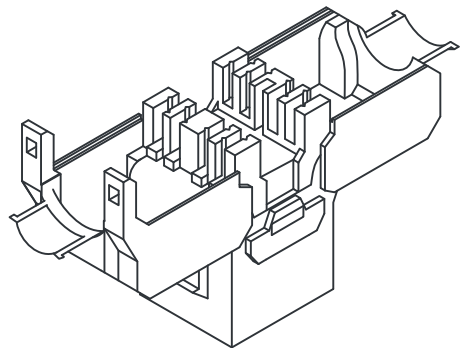
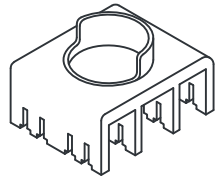


REV	DATE	MODIFICATION	DRAWN



NOTES:

ELECTRICAL:

- 1. VOLTAGE RATING : 125 VAC RMS
- 2. CURRENT RATING : 1.5 AMP
- 3. CONTACT RESISTANCE : 100 MILLIOHMS MAX
- 4. INSULATION RESISTANCE : 1000 MEGOHMS MIN @ 500 VDC
- 5. DIELECTRIC STRENGTH : 750 VAC RMS 60Hz,1MIN
- 6. C6a PERMANENT LINK : CONFORM TO ANSI/TIA/EIA-568 C.2

ENVIRONMENTAL:

- 1. STORAGE : -40° TO +70°
- 2. OPERATION : -10° TO +60°

MATES WITH MODULAR PLUG CONFORMING TO FCC PART 68, SUBPART F.

MECHANICAL:

- 1. HOUSING MATERIAL : PC
- 2. INSERT MATERIAL : PC
- 3. PCB MATERIAL : FR-4 T=1.6mm
- 4. CONTACT MATERIAL : PHOSPHOR BRONZE STAMP PIN T=0.35mm
- 5. IDC CONTACT MATERIAL : PHOSPHOR BRONZE T=0.50mm WITH TIN PLATING
- 6. RJ45 JACK LIFE : 750 TIMES MIN
- 7. IDC LIFE : 200 TIMES MIN
- 8. WIRE : AWG 22~24
- 9. TIA Cat 6a Perm. Link Test: Worst pair NEXT margin \geq 5.0db
- 10. Retentiveness of insertion structure: 50N 60 \pm 5s

DIMENSION IN mm (Inch) TOLERANCE UNLESS OTHERWISE SPECIFIED		MATERIAL	DWG NO.	
.X \pm 0.10	.X $^{\circ}$ \pm 5 $^{\circ}$	TITLE		
.XX \pm 0.05	.XX $^{\circ}$ \pm 2 $^{\circ}$	DRAWN	SCALE	SHEET
APPROVAL	CHECKED	PPDJ	1/1	1/