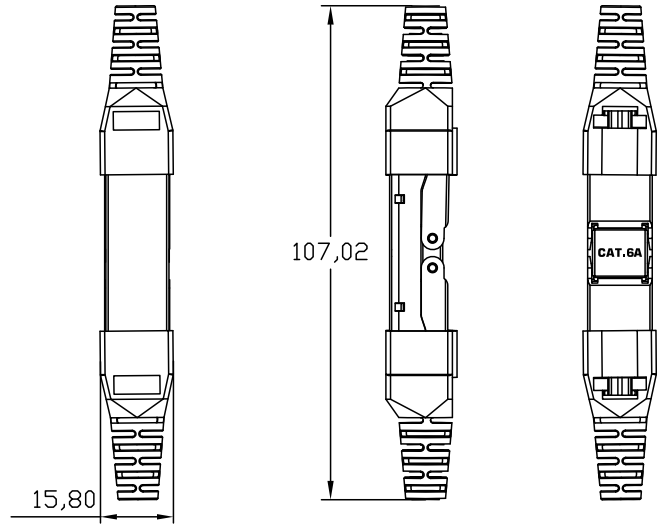
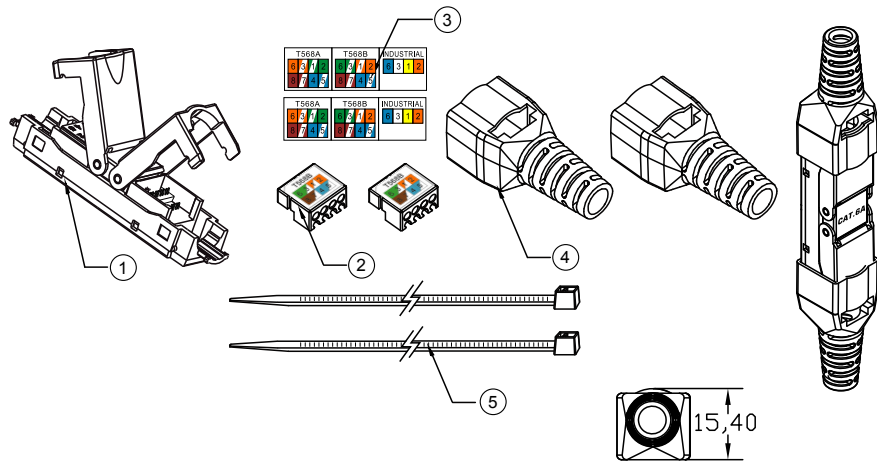
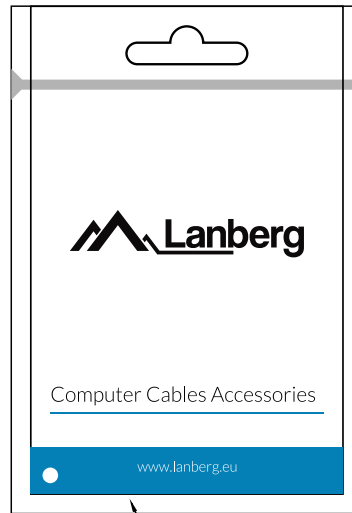


FILE AMEND NOTE	DATE	REV.
ORIGINAL EDITION	February 10, 2020	A/0



### PACKAGE DRAW



### SPECIFICATION

- Easily assemble without special tool.
- Suitable for solid wire from AWG 26/1 to AWG 22/1.
- Compliance with Class Ea ISO/IEC 11801 Ed.2.2.2011-06, DIN EN 50173-1:2011-09 10 GB IT suitable according to IEEE 802.3an.
- Adjustable strain relief, suitable for cable jacket diameter from 6.0 to 9.0mm.
- Operating temperature: -25 °C to 68 °C, relative humidity: ≤85%, air pressure: 70 to 106KPa.
- Intermediate resistance: ≤ 20M Ω in normal atmosphere pressure (not include bulk resistor).
- Insulated resistance: ≥ 1000M Ω in normal atmosphere pressure.
- Withstanding voltage: DC 1000V (AC 700V), no puncture or spark-over in 1 minute.
- RoHS 2.0 compliant.

### MATERIAL LIST

⑥	PACKAGE	String bag, size: 9x13mm	1
⑤	CABLE TIE	Material: Nylon	2
④	STRIAN RELIEF	Material: PC	2
③	WIRING LABEL	Material: laminated paper	2
②	WIRING CAP	Material: PC	2
①	MAIN BODY	Zinc alloy body, phosor bronze blade	1
No.	PART NAME	DESCRIPTION	QTY

Lanberg				
DRAW No.		NAME	CAT.6A SHIELD TOOLLESS CONNECTION BOX	
CUSTOMER		MAPE	TOLERANCE	
MODEL No.	PL2SA-6000TL		X. ±1.00	X.X ±0.50
APPROVE BY	CHECK BY	DRAW BY	SCALE	MM
			PAGE	1/1